

single / double output  
up to 3 Watt

DC/DC converters  
limited input voltage range



- **Input voltage range  $\pm 7\%$**
- **PCB-mounting**  
Base plate with distance to the PCB [Soldering cone]
- **Up to 70°C without Derating**
- **Option -40/+85°C**
- **Input filtering C - L - C**
- **24-pol DIL-housing**

Isolated processing of auxiliary outputs  
as supplementary regulator



## Series VCT

© eingetragenes Warenzeichen der Firma SYKO GmbH & Co. KG

### Main points:

#### Output:

- Regulation  $\Sigma(U_{in}+I_{out}+T_U) < \pm 4\%$
- Ripple  $< 50 \text{ mV}_{pp}$
- Spikes  $< 50 \text{ mV}_{pp}$
- Temperature coefficient  $\pm 0,02\%/^{\circ}\text{C}$
- Short circuit proof
- Option unsymmetrical and isolated outputs

#### Input:

- Input voltage range  $\pm 7\%$
- Input current spike filter

#### In general:

- Isolation test voltage  $500 \text{ V}_{AC} 1 \text{ min}$
- Ambient temperature  $-25^{\circ}\text{C} / +70^{\circ}\text{C}$ ,  
Option:  $-40^{\circ}\text{C} / +85^{\circ}\text{C}$
- Storage temperature  $-40^{\circ}\text{C} / +100^{\circ}\text{C}$
- Derating  $2\% / ^{\circ}\text{C} > 70^{\circ}\text{C}$
- Free air convection
- MTBF on request
- Weight approx. 14 g
- Housing material Noryl GV
- Housing  $31,8 \times 20,5 \times 10,6 \text{ mm}^3$
- Tantalum- and multi layer capacitors

Other standard pin  
assignments on request

<u>U<sub>in</sub></u> V	<u>U<sub>out</sub></u> V	<u>I<sub>out</sub></u> mA	Model number
<b>5</b> $\pm 7\%$	5,1	500	VCT 5-1-05-500
	12	200	VCT 5-1-12-200
	15	160	VCT 5-1-15-160
	$\pm 12$	$\pm 100$	VCT 5-2-12-100
	$\pm 15$	$\pm 80$	VCT 5-2-15-080
	<b>12</b> $\pm 7\%$	5,1	500
12		200	VCT 12-1-12-200
15		160	VCT 12-1-15-160
$\pm 12$		$\pm 100$	VCT 12-2-12-100
$\pm 15$		$\pm 80$	VCT 12-2-15-080
<b>24</b> $\pm 7\%$		5,1	500
	12	200	VCT 24-1-12-200
	15	160	VCT 24-1-15-160
	$\pm 12$	$\pm 100$	VCT 24-2-12-100
	$\pm 15$	$\pm 80$	VCT 24-2-15-080
	<b>28</b> $\pm 7\%$	5,1	500
12		200	VCT 28-1-12-200
15		160	VCT 28-1-15-160
$\pm 12$		$\pm 100$	VCT 28-2-12-100
$\pm 15$		$\pm 80$	VCT 28-2-15-080
<b>48</b> $\pm 7\%$		5,1	500
	12	200	VCT 48-1-12-200
	15	160	VCT 48-1-15-160
	$\pm 12$	$\pm 100$	VCT 48-2-12-100
	$\pm 15$	$\pm 80$	VCT 48-2-15-080
	VCT (H)	-40°C up to +85°C	
Modification costs for possible changes above values			on request

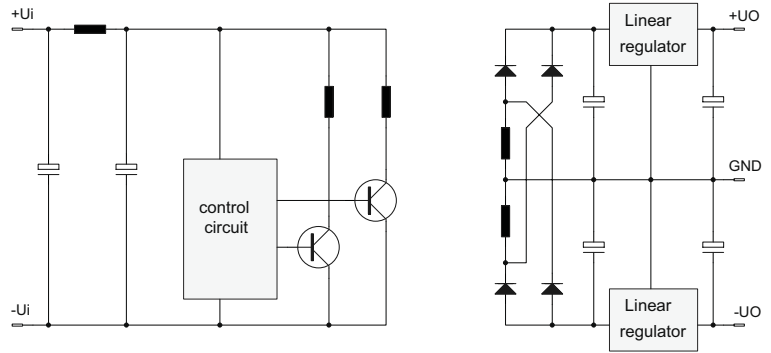
single / double output  
up to 3 Watt

DC/DC converters  
limited input voltage range



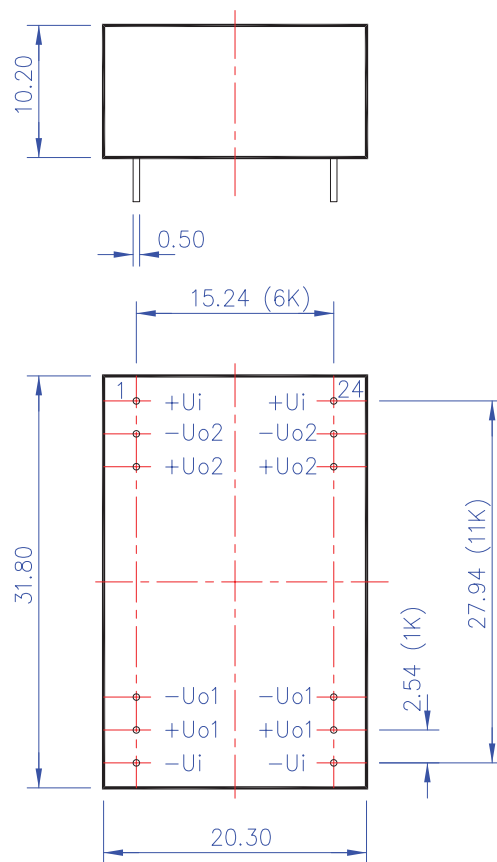
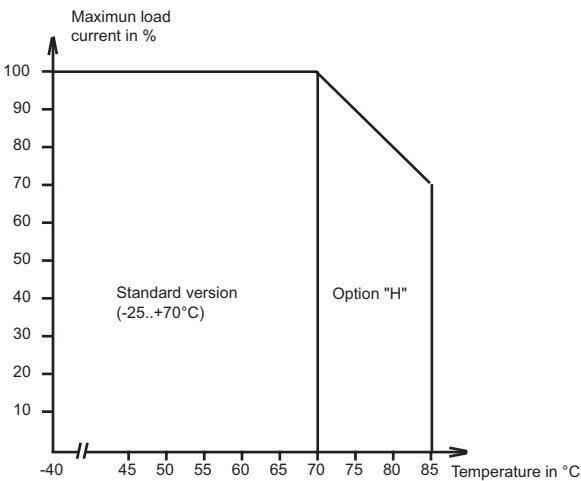
Modules of the **VCT** series are low power converters with galvanic isolation and regulated output voltages. Input sided C-L-C-current filters reduce the current ripples.

The converter is available with single and double outputs. At almost constant supply voltage this converters are used as supplementary converters in series with non-isolating switching regulators for data capturing applications.

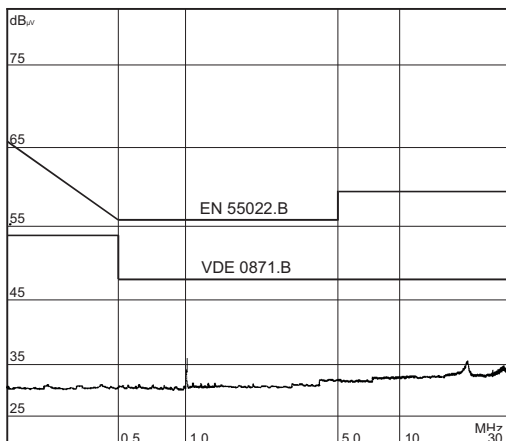


© registered trademark of company SYKO GmbH & Co. KG

### Derating-curve



### Measurement of radion interference



### Application noise suppression

