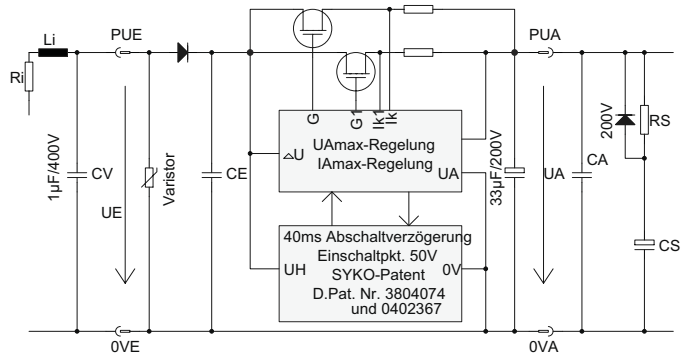


Very high long-term transients with low source impedance must be processed in mobile application systems. At the same time network interruptions must be bridged to 0V in starting situations of turbines and motors. The combination of an active filter (AFI) and passive hold-up time units or active hold-up time units with our system converters secure the functional characteristic for the customer application.

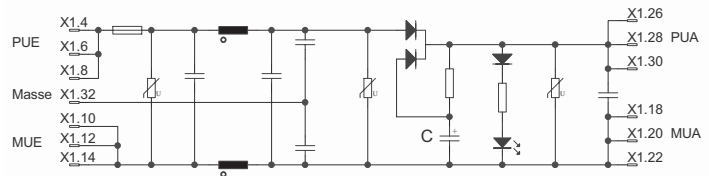
Combination brings functionality!

- **Active transient protection filter (SYKO-patent no. 3804074 and 0402367)**
- **Transient protection (TK)**
- **Inrush current limitation (ICL)**



Sample: principle circuit AFI.M

- **Storage units from nominal voltage for power failure bridging**
- **With transient protection and C-L²-C pre-filter**
- **Disturbance proof EN61000-4-4/5**
- **Low input capacity**
- **Passive pre-switch modules with soft start**



Sample: principle circuit SPK03

On-board network interruptions today can be bridged with High-Cap-solutions up to rage of minutes, with batteries up to the range of hours. SYKO can offer those solutions for mobile applications.



Filter model	Nominal value	Nom. U _{in}		Build-up / style		Special features
AFI.K	up to 1A	12 - 24		PCB module	potted	50V/50ms 70V/2ms
AFI.L	up to 6A	12 - 110		PCB module	open	50V/50ms 70V/2ms
AFI.M	up to 20A	12 - 110		PCB module	open	50V/100ms 70V/2ms
SPK01		24 - 110		Module		
SPK02		24 - 110		19"/Chassis mounting		
SPK03		24 - 110		19"-cassette style		
SPK04		24 - 110		19"-cassette style		