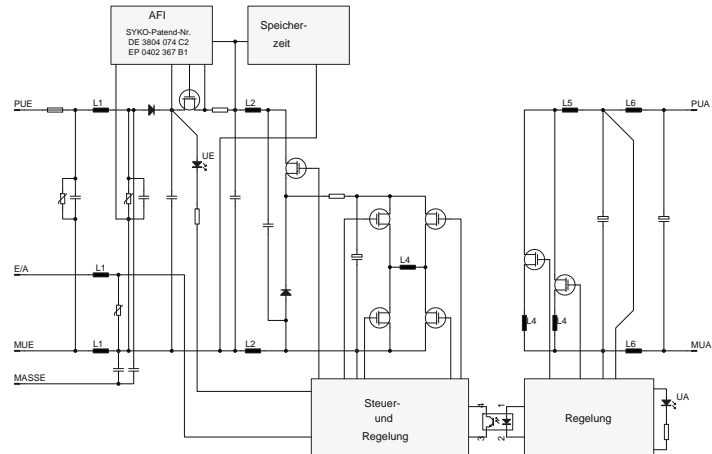


Product line E's system converters with an output power range from >20 to 2250 Watt are designed for mobile and stationary applications and high operational reliability. These converters are partial equipped with integrated features like active reverse polarity protection, active hold-up time, active transient protection filter, active inrush current limitation, monitoring functions and signalling. Features like this safe costly integration of modules with different functionality or the customer. Product line E's converters are ideal for the use on railways, vehicle, avi- onics and special vehicles battery networks and higher industrial applications.

The wide input voltage range allows the use on weak and transient flawed networks. The mechanically stable and ordered build up is ideal for mobile applications. The functionality is secured in the whole operational range up to limit values based on the chosen components, filters, security circuits, dynamical and statically current limitation, over voltage protection and the special topology-cascading.

### Combination brings functionality!

- **Wide input voltage ranges**
- **Active reverse polarity protection**
- **Active inrush current limitation**
- **Active transient kill**
- **Active hold-up time**
- **Uncompromisingly requirement capal**
- **Reliable system suitability**
- **Topology-Cascading**



Sample: principle circuit series KM.U

Converter number	Pout W	Nom. Uin V	Quantity Outputs	Hold-up time	Build-up style	Dimension	Features
RAB1.1 / 2 / 3	30	12 - 110	1, 2, 3	active	19"-cassette	3U / 6TE	UWR <sup>1)</sup>
RAB5.U	60	12 - 110	1	*	19"-cassette	3U / 8TE	UWR <sup>1)</sup>
RAB5.B	50	12 - 110	2	*	19"-cassette	3U / 8TE	UWR <sup>1)</sup>
RAB5.T	50	12 - 110	3	*	19"-cassette	3U / 8TE	UWR <sup>1)</sup>
BNL.X/B	60	12 - 110	1, 2	active	19"-cassette	3U / 8TE	UWR <sup>1)</sup> , Frontend-Input
FTA.U/B	60	24 - 110	1, 2	*	Chassis	185x125x25	15mm air/creepage dist.
FTE.U/B	80	12 - 110	1, 2	*	19"-cassette	3U / 5TE	flat style
HL10.U/B	100	24 - 110	1, 2	*	19"-cassette	3U / 9TE	
GTR.P	120	12 - 24	1	-	Chassis	220x130x45	MIL/VG capable
HL15.U	150	24 - 110	1	*	19"-cassette	3U / 10TE	
HC15.U	150	24 - 110	1	*	Chassis	198x112x50	Screw terminal
HL16 / HC16	150-240	24 - 110	1, 2	*	19" / Chassis	3U / 10TE	Zero-load capable
VME5.V	190	48 - 220	4	active	19"-cassette	6U / 10TE	VME-Bus converter
HL25.U	200	48 - 110	1	*	19"-cassette	3U / 10TE	
HL30.U	300	24 - 110	1	active *	19"-cassette	3U / 14TE	External hold-up-C*
HC30.U	300	24 - 110	1	active *	Chassis	198x104x58	Screw term./ext. hold-up-C*
HC51	500	24 - 110	1, 2	*	Chassis	261x250x76	
FBV.U	500	12 - 24	1	active	Chassis	426x260x84,5	MIL/VG requirements
KN60	600	24 - 110	1, 2	active	Chassis	342x250x65	security redundant
BLG.H3	1000	24 - 110	1	-	Chassis	360x260x120	Battery charging f=T(Bat)
BLG.H5	2250	24 - 110	1	-	Chassis	373x470x100	Battery charging f=T(Bat)
FE.H6	3100	24 - 110	1	-	Chassis	373x470x100	option: Uout up to 750V
BLG.H6	3100	24 - 110	1	-	Chassis	380x510x168	Battery charging f=T(Bat)
PM.U	9000	48 - 220	1	-	19" or Chassis	525x430x92	fuel cell power supply

\* Pre-switchable hold-up time units with additional filters are available for all rack/cassette style converters (see product line L)

1) UWR: Ultra-Wide-Range 14,4 - 154V possible