

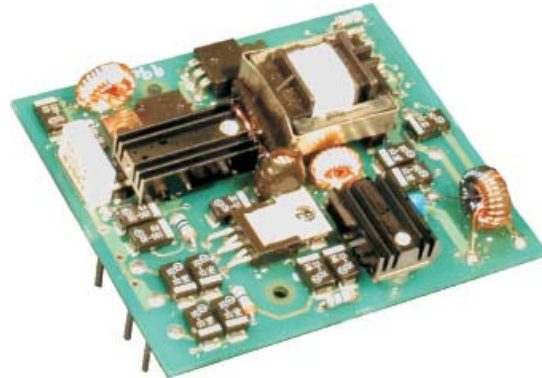
double output
up to 15 Watt

DC/DC converters
limited input voltage range



- **Input voltage range $\pm 5\%$ standard**
- **Option U_{in} -range $\pm 20\%$**
- **PCB-Module**
- **Temperature range $-25/+70^{\circ}\text{C}$**
- **Option $-40/+85^{\circ}\text{C}$**
- **Input filtering C - L - C**
- **Open build up**
76,2 x 66 x 20,5 mm³

for special technology , railway applications



© eingetragenes Warenzeichen der Firma SYKO GmbH & Co. KG

Series BB 01

Main points:

Output:

- Accuracy absolute $\pm 1\%$
- Regulation $\Sigma(U_{in} + I_{out} + T_U) < \pm 1,5\%$
- Response time 20 μs
- Ripple 1 mV_{rms}
- Spikes < 50 mV_{pp}
- No-load and short circuit proof
- Current limitation 1,2I_{o max}

Input:

- Input voltage range $\pm 5\%$
- Input current spike filter
- Input current ripple < 1%
- EMC-noise suppression see application

In general:

- Isolation test voltage 500V_{AC} 1 min
optional 1500V_{AC} 1 min
- Thermal over load protection
- Very good turn-on behaviour¹⁾
- Ambient temperature $-25^{\circ}\text{C} / +70^{\circ}\text{C}$,
Option: $-40^{\circ}\text{C} / +85^{\circ}\text{C}$
- Storage temperature $-40^{\circ}\text{C} / +85^{\circ}\text{C}$
- Derating 2% / $^{\circ}\text{C} > 60^{\circ}\text{C}$
- Free air convection
- MTBF on request
- Weight approx. 45 g
- Dimension 76,2 x 66 x 20,5 mm³

1) Start with U_{in} -run-up

<u>U_{in}</u> V	<u>U_{out}</u> V	<u>I_{out}</u> mA	Model number
5 $\pm 5\%$	3,3	400	BB01-T05-03-12-24
	12	400	
12 $\pm 5\%$	24	200	BB01-T12-15-15-24
	+15	300	
	-15	300	
24 $\pm 5\%$	24	200	BB01-T24-05-15-15
	5,1	400	
	+15	300	
12 $\pm 20\%$	-15	300	BB01-T24-05-03-12
	5,1	1000	
	3,3	1000	
24 $\pm 20\%$	12	400	BB01-T24-05-03-02
	5,1	1000	
	3,3	1000	
	2,2	1000	on request
BB01 (H)		-40°C up to +85°C	additional charge
Modification costs for possible changes above values			on request

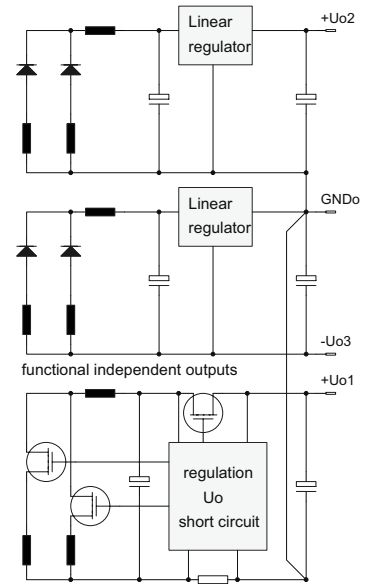
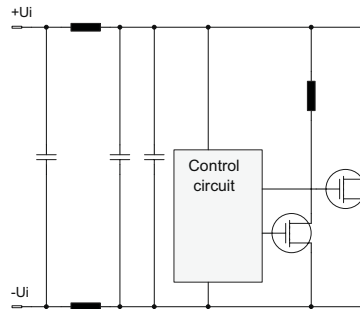
double output
up to 15 Watt

DC/DC converters
limited input voltage range



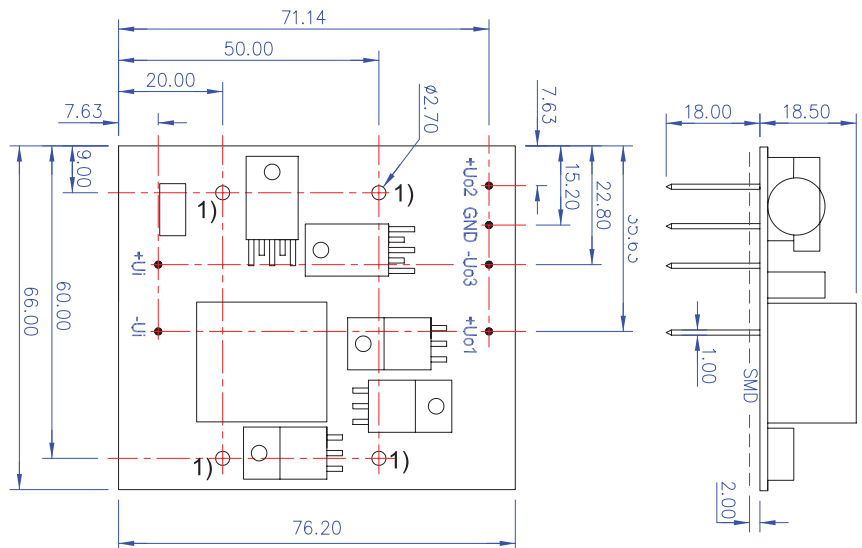
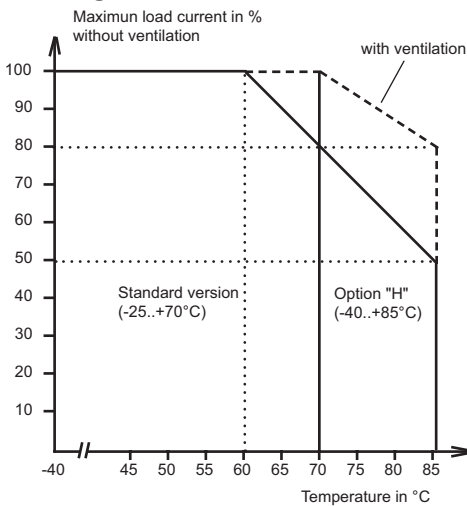
Modules of the **BB01** series are low power converters with galvanic isolation and regulated outputs. The input sided current filter reduces voltage ripples and is responsible for the requirements of the EN55011.A.

The converter is available with single, double and tripolare voltage output. The outputs are functional independent from each other and have the same ground potential. They are preferred usable at almost constant input voltage. E.g. as supplementary regulators at front end supplies. The converter are running up with the input voltage.

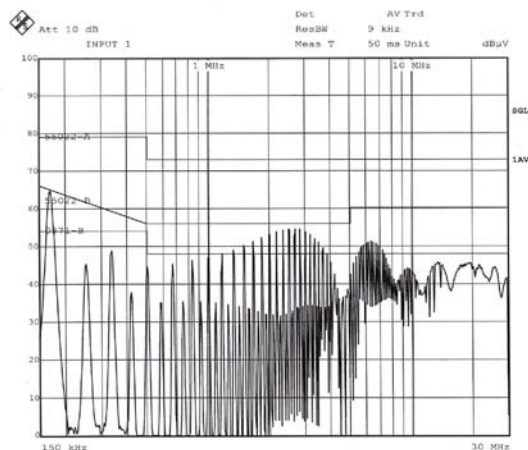


© registered trademark of company SYKO GmbH & Co. KG

Derating-curve



Measurement of radion interference without pre-filters



1)
4 x screw adaptation with 5mm long M2,5 bolts

Application

Noise suppression, fuse, reverse pol. protection

